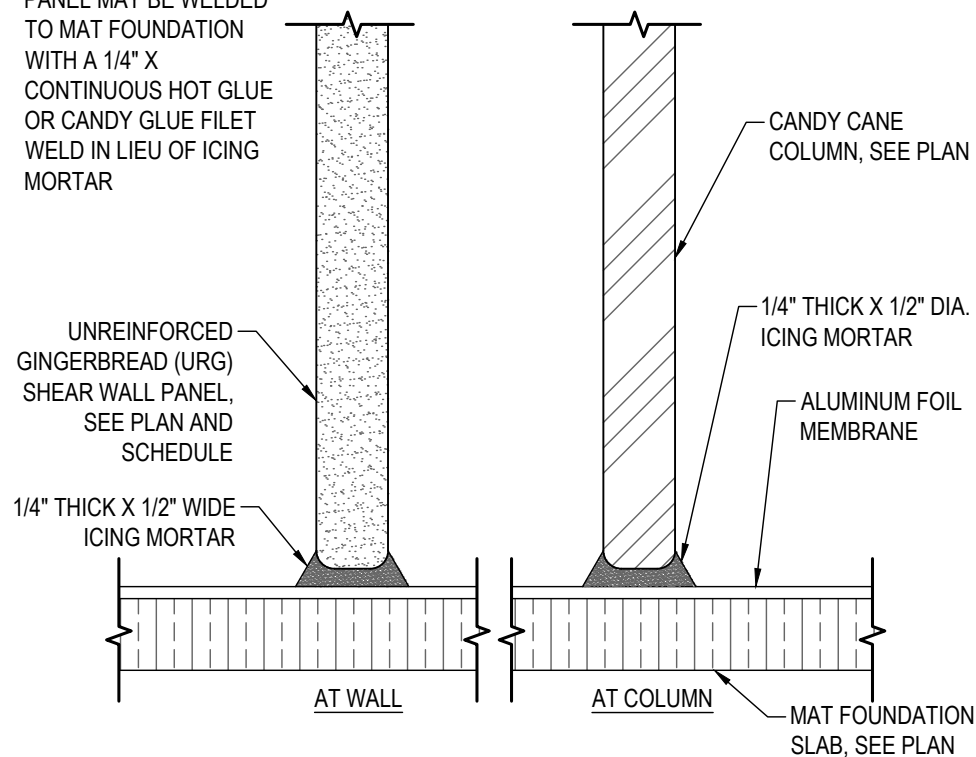


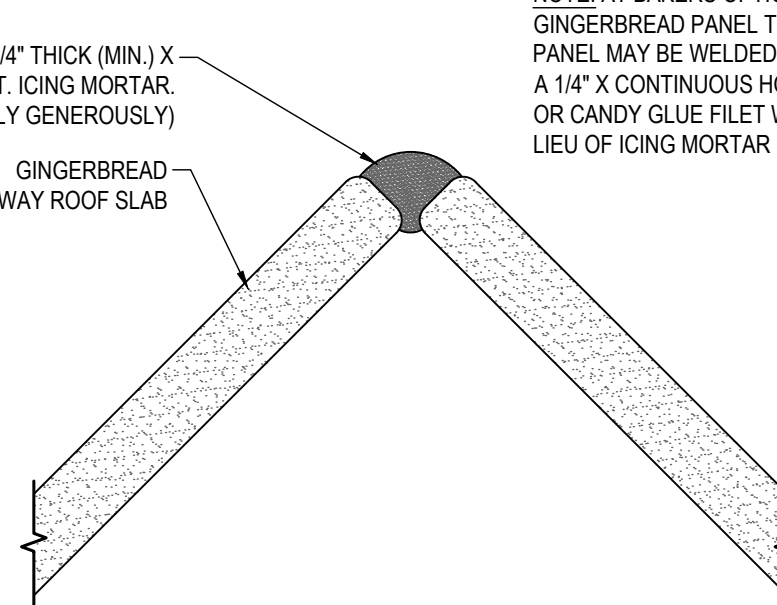
NOTE: AT BAKERS OPTION, GINGERBREAD PANEL MAY BE WELDED TO MAT FOUNDATION WITH A 1/4" X CONTINUOUS HOT GLUE OR CANDY GLUE FILET WELD IN LIEU OF ICING MORTAR



1/4" THICK (MIN.) X CONT. ICING MORTAR. (APPLY GENEROUSLY)

GINGERBREAD TWO-WAY ROOF SLAB

NOTE: AT BAKERS OPTION, GINGERBREAD PANEL TO PANEL MAY BE WELDED WITH A 1/4" X CONTINUOUS HOT GLUE OR CANDY GLUE FILET WELD IN LIEU OF ICING MORTAR



WALL/COL. TO FOUNDATION

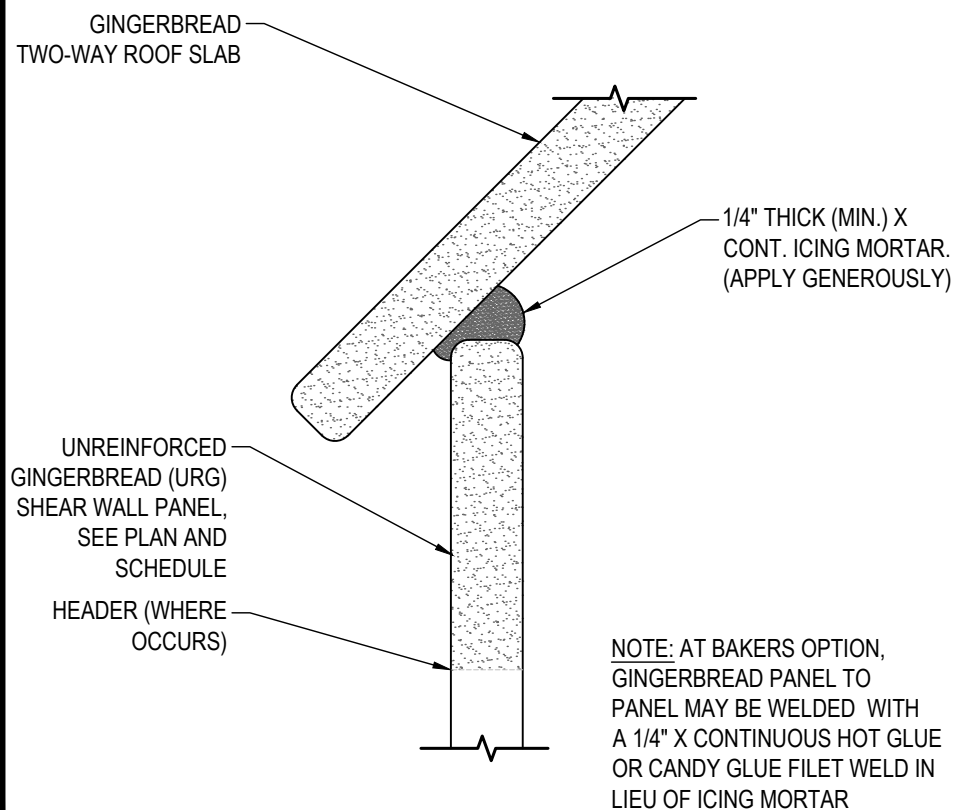
NOT TO SCALE

1
S501

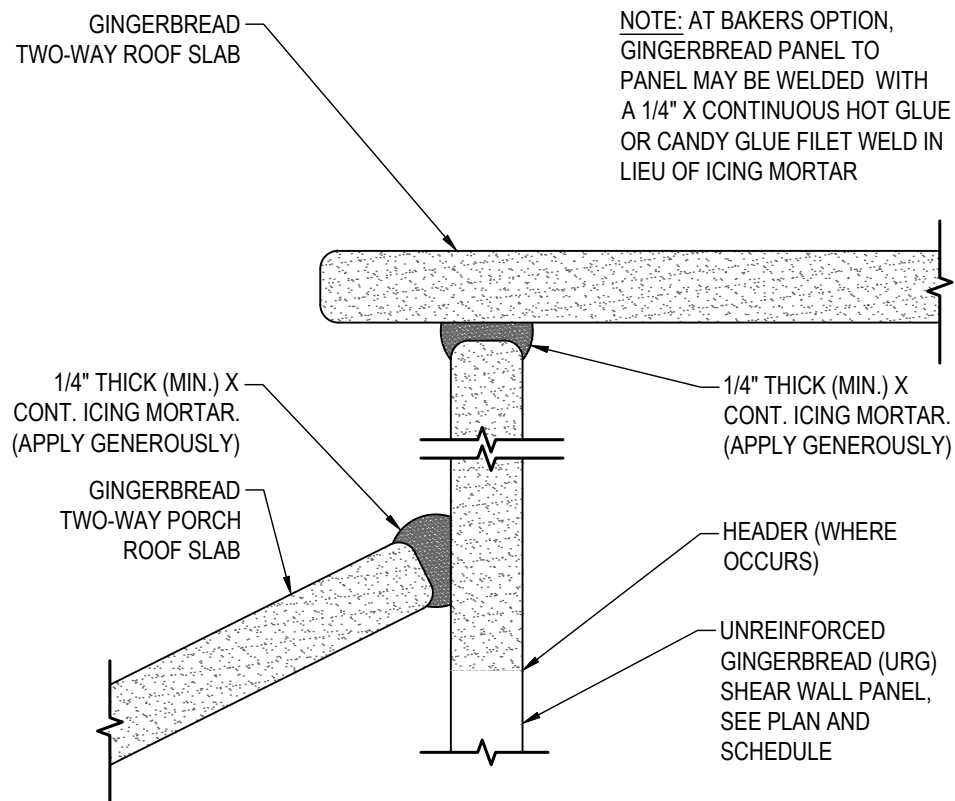
RIDGE CONNECTION DETAIL

NOT TO SCALE

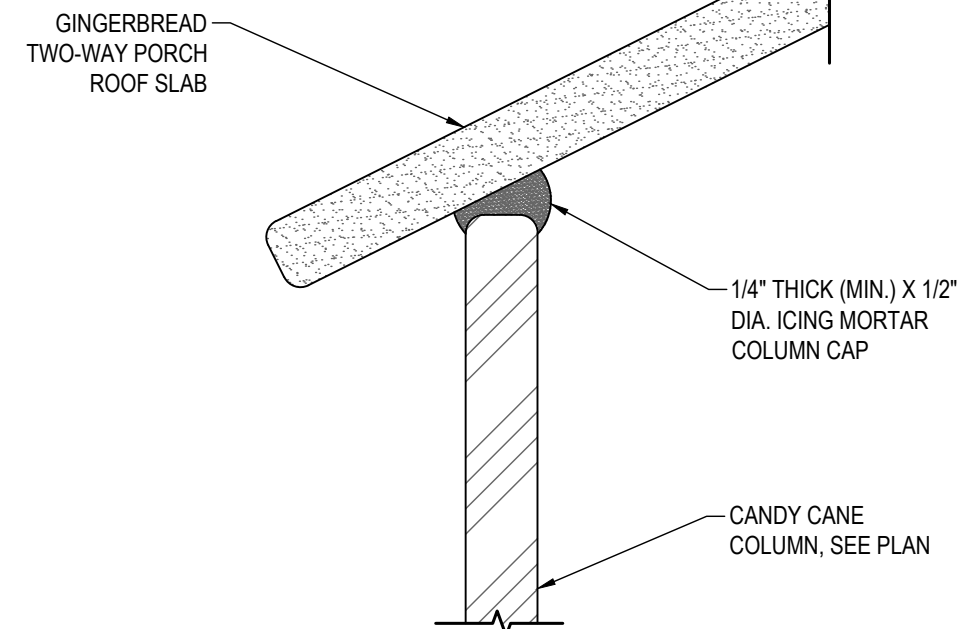
2
S501



NOTE: AT BAKERS OPTION, GINGERBREAD PANEL TO PANEL MAY BE WELDED WITH A 1/4" X CONTINUOUS HOT GLUE OR CANDY GLUE FILET WELD IN LIEU OF ICING MORTAR



NOTE: AT BAKERS OPTION, GINGERBREAD PANEL TO PANEL MAY BE WELDED WITH A 1/4" X CONTINUOUS HOT GLUE OR CANDY GLUE FILET WELD IN LIEU OF ICING MORTAR



ROOF TO WALL DETAIL

NOT TO SCALE

3
S501

HIGH/LOW ROOF TO WALL

NOT TO SCALE

4
S501

CANDY CANE COL. TO ROOF

NOT TO SCALE

5
S501

177 E. ANTELOPE DR. STE. B
LAYTON, UT 84041
PHONE: (801) 499-5054

WWW.SILVERPEAKENG.COM
DESIGN
CIVIL
STRUCTURAL

GINGERBREAD RESIDENCE
321 DRURY LANE
LAYTON, UTAH

DATE: DEC. 25
PROJECT: --
DRAWN BY: S.C.

REVISIONS	
MARK	DATE / DESC.

STRUCTURAL DETAILS

SHEET NUMBER:
S501